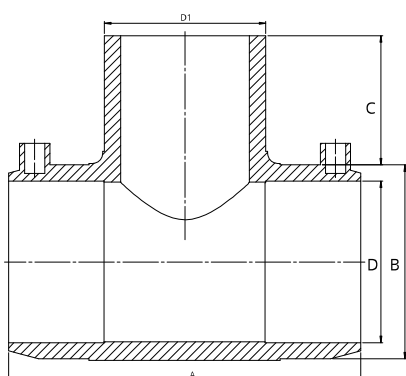


REDUCED EF TEE SDR11

- Trójnik elektrooporowy redukcyjny SDR 11
- Редукционный Тройник Электросварной SDR 11



| Size / Wymiar Размер (mm) D/D1 | Code Kod / код | A (mm) | B (mm) | C (mm) | Weight Waga / Вес (kg) | Packing / Pakowanie Упаковка |
|--------------------------------------|-------------------|-----------|-----------|-----------|---------------------------|---------------------------------|
| 25/20 | TE02502011 | 108 | 37 | 58 | 0,079 | 140 |
| 32/20 | TE03202011 | 107 | 45 | 59 | 0,105 | 90 |
| 32/25 | TE03202511 | 107 | 45 | 65 | 0,103 | 90 |
| 40/25 | TE04002511 | 107 | 58 | 67 | 0,166 | 60 |
| 40/32 | TE04003211 | 106 | 57 | 77 | 0,171 | 60 |
| 50/25 | TE05002511 | 155 | 68 | 69 | 0,277 | 30 |
| 50/32 | TE05003211 | 155 | 68 | 78 | 0,285 | 30 |
| 50/40 | TE05004011 | 155 | 68 | 73 | 0,285 | 30 |
| 63/32 | TE06303211 | 155 | 80 | 76 | 0,360 | 20 |
| 63/40 | TE06304011 | 155 | 80 | 69 | 0,352 | 20 |
| 63/50 | TE06305011 | 155 | 80 | 69 | 0,371 | 20 |
| 75/63 | TE07506311 | 222 | 95 | 93 | 0,708 | 12 |
| 90/63 | TE09006311 | 241 | 111 | 94 | 1,010 | 8 |
| 90/75 | TE09007511 | 242 | 112 | 94 | 1,024 | 8 |
| 110/63 | TE11006311 | 263 | 135 | 98 | 1,513 | 10 |
| 110/75 | TE11007511 | 263 | 135 | 100 | 1,546 | 10 |
| 110/90 | TE11009011 | 263 | 135 | 100 | 1,553 | 10 |
| 125/63 | TE12506311 | 286 | 153 | 115 | 1,910 | 6 |
| 125/75 | TE12507511 | 286 | 153 | 115 | 1,940 | 6 |
| 125/90 | TE12509011 | 286 | 153 | 115 | 2,000 | 6 |
| 125/110 | TE12511011 | 286 | 153 | 115 | 2,130 | 6 |
| 160/63 | TE16006311 | 352 | 181 | 136 | 3,250 | 4 |
| 160/75 | TE16007511 | 352 | 181 | 136 | 3,270 | 4 |
| 160/90 | TE16009011 | 351 | 182 | 136 | 3,300 | 4 |
| 160/110 | TE16011011 | 352 | 183 | 134 | 3,450 | 4 |
| 160/125 | TE16012511 | 351 | 184 | 136 | 3,500 | 4 |