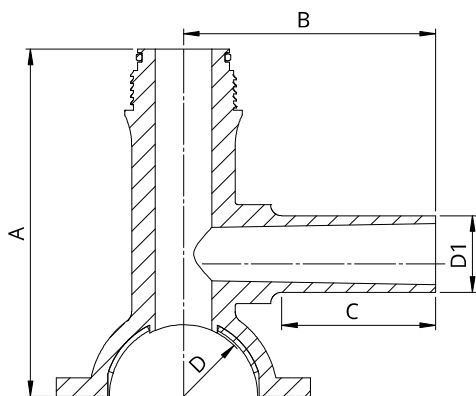


TRÓJNIK SIODŁOWY PE100 SDR11

- Tapping Tee PE 100 SDR 11
- Седловидный тройник с фрезой ПЕ 100 СДР 11



| Wymiar Size / Размер (mm) D/D1 | Kod Code / Код | A (mm) | B (mm) | C (mm) | Waga Weight / Вес (kg) | Pakowanie/Packing / Упаковка |
|---|-------------------|-----------|-----------|-----------|---------------------------|---------------------------------|
| 40/32 | TS04003211 | 130,0 | 118,0 | 76,0 | 0,34 | 20 |
| 50/32 | TS05003211 | 135,0 | 118,0 | 76,0 | 0,34 | 20 |
| 63/25 | TS06302511 | 156,0 | 105,0 | 68,0 | 0,58 | 20 |
| 63/32 | TS06303211 | 157,0 | 104,0 | 68,0 | 0,59 | 20 |
| 63/40 | TS06304011 | 157,0 | 104,0 | 68,0 | 0,59 | 20 |
| 75/25 | TS07502511 | 157,0 | 104,0 | 68,0 | 0,59 | 15 |
| 75/32 | TS07503211 | 193,5 | 125,0 | 76,0 | 0,60 | 15 |
| 75/40 | TS07504011 | 193,5 | 125,0 | 76,0 | 0,60 | 15 |
| 75/63 | TS07506311 | 193,5 | 161,0 | 100,0 | 0,71 | 15 |
| 90/25 | TS09002511 | 245,0 | 140,0 | 110,0 | 1,04 | 15 |
| 90/32 | TS09003211 | 245,0 | 140,0 | 110,0 | 1,04 | 15 |
| 90/50 | TS09005011 | 245,0 | 140,3 | 110,0 | 1,08 | 15 |
| 90/63 | TS09006311 | 240,0 | 138,0 | 110,0 | 1,15 | 15 |
| 110/25 | TS11002511 | 180,0 | 106,0 | 68,0 | 0,82 | 20 |
| 110/32 | TS11003211 | 180,0 | 106,0 | 68,0 | 0,83 | 20 |
| 110/40 | TS11004011 | 180,0 | 106,0 | 68,0 | 0,83 | 15 |
| 110/50 | TS11005011 | 180,0 | 106,0 | 68,0 | 0,83 | 15 |
| 110/63 | TS11006311 | 250,0 | 137,6 | 110,0 | 1,30 | 15 |
| 125/25 | TS12502511 | 190,0 | 104,0 | 68,0 | 0,77 | 15 |
| 125/32 | TS12503211 | 190,0 | 104,0 | 68,0 | 0,77 | 15 |
| 125/40 | TS12504011 | 190,0 | 104,0 | 68,0 | 0,77 | 15 |
| 125/50 | TS12505011 | 190,0 | 104,0 | 68,0 | 0,77 | 15 |
| 125/63 | TS12506311 | 250,0 | 137,6 | 110,0 | 0,77 | 15 |
| 140/32 | TS14003211 | 238,0 | 134,0 | 76,0 | 0,85 | 6 |
| 140/63 | TS14006311 | 238,0 | 180,0 | 100,0 | 0,85 | 6 |
| 160/25 | TS16002511 | 272,0 | 138,0 | 110,0 | 1,22 | 6 |
| 160/32 | TS16003211 | 272,0 | 138,0 | 110,0 | 1,22 | 6 |
| 160/40 | TS16004011 | 272,0 | 138,0 | 110,0 | 1,22 | 6 |
| 160/50 | TS16005011 | 272,0 | 138,0 | 110,0 | 1,22 | 6 |
| 160/63 | TS16006311 | 272,0 | 138,0 | 110,0 | 1,22 | 6 |
| 180/25 | TS18002511 | 275,0 | 137,0 | 98,2 | 1,22 | 14 |

| Wymiar/ Size/ Размер (mm) D/D1 | Kod/ Code/ Код | A (mm) | B (mm) | C (mm) | Waga/ Weight/ Вес (kg) | Pakowanie/ Packing/ Упаковка |
|--------------------------------------|----------------|--------|--------|--------|---------------------------|---------------------------------|
| 180/32 | TS18003211 | 275,0 | 137,0 | 98,2 | 1,22 | 14 |
| 180/40 | TS18004011 | 275,0 | 137,0 | 98,2 | 1,22 | 14 |
| 180/50 | TS18005011 | 275,0 | 137,0 | 98,2 | 1,22 | 14 |
| 180/63 | TS18006311 | 275,0 | 137,0 | 98,2 | 1,22 | 14 |
| 200/25 | TS20002511 | 270,0 | 136,0 | 111,0 | 1,12 | 12 |
| 200/32 | TS20003211 | 270,0 | 136,0 | 111,0 | 1,12 | 12 |
| 200/40 | TS20004011 | 270,0 | 136,0 | 111,0 | 1,12 | 12 |
| 200/50 | TS20005011 | 270,0 | 136,0 | 111,0 | 1,12 | 12 |
| 200/63 | TS20006311 | 270,0 | 136,0 | 111,0 | 1,12 | 12 |
| 225/25 | TS22502511 | 266,0 | 140,0 | 111,0 | 1,12 | 12 |
| 225/32 | TS22503211 | 266,0 | 140,0 | 111,0 | 1,12 | 12 |
| 225/40 | TS22504011 | 266,0 | 140,0 | 111,0 | 1,12 | 12 |
| 225/50 | TS22505011 | 266,0 | 140,0 | 111,0 | 1,12 | 12 |
| 225/63 | TS22506311 | 266,0 | 140,0 | 111,0 | 1,12 | 12 |
| 250/25 | TS25002511 | 270,0 | 140,0 | 111,0 | 1,12 | 10 |
| 250/32 | TS25003211 | 270,0 | 140,0 | 111,0 | 1,12 | 10 |
| 250/40 | TS25004011 | 270,0 | 140,0 | 111,0 | 1,12 | 10 |
| 250/50 | TS25005011 | 270,0 | 140,0 | 111,0 | 1,12 | 10 |
| 250/63 | TS25006311 | 270,0 | 140,0 | 111,0 | 1,12 | 10 |
| 280/25 * | TS28002511 | 270,0 | 140,0 | 111,0 | 1,12 | 8 |
| 280/32 * | TS28003211 | 270,0 | 140,0 | 111,0 | 1,12 | 8 |
| 280/40 * | TS28004011 | 270,0 | 140,0 | 111,0 | 1,12 | 8 |
| 280/50 * | TS28005011 | 270,0 | 140,0 | 111,0 | 1,12 | 8 |
| 280/63 * | TS28006311 | 270,0 | 140,0 | 111,0 | 1,12 | 8 |
| 315/25 * | TS31502511 | 270,0 | 140,0 | 111,0 | 1,12 | 6 |
| 315/32 * | TS31503211 | 270,0 | 140,0 | 111,0 | 1,12 | 6 |
| 315/40 * | TS31504011 | 270,0 | 140,0 | 111,0 | 1,12 | 6 |
| 315/50 * | TS31505011 | 270,0 | 140,0 | 111,0 | 1,12 | 6 |
| 315/63 * | TS31506311 | 270,0 | 140,0 | 111,0 | 1,12 | 6 |

* Do nawiercania rur SDR17 / For drilling pipes SDR17/ Для врезки труб СДР17

1. Obejma dolna wykonana z PE lub pas montażowy / Clamp made from PE or installing stripe / Зажим изготовлен из полиэтилена или монтажного ремня
2. Frez stalowy, ocynkowany / Steel galvanized cutter / Резак из стали оцинкованной
3. Zabezpieczenie przed zbyt długim nawierceniem / Protected from drilling too deep / Защищён от слишком глубокого прореза
4. Bosy koniec trójnika o wydłużonej długości / Elongated spigot end of the tee / Удлинённая стыковая часть